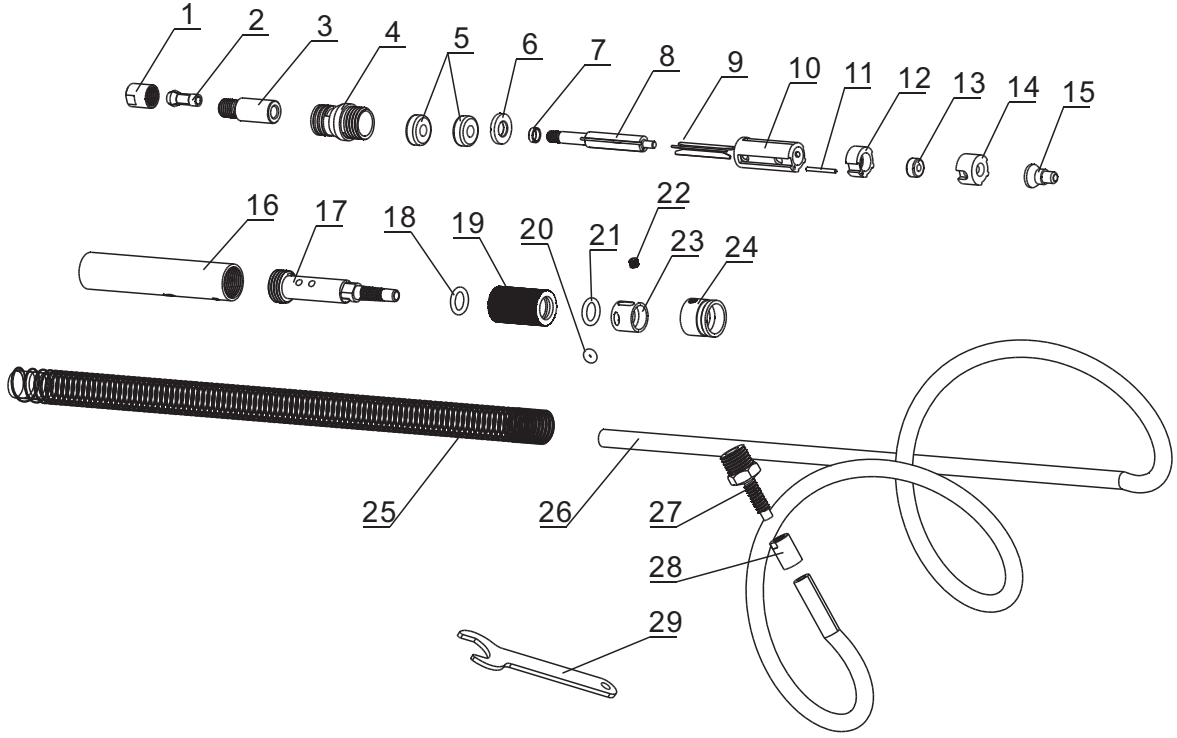


AT-3170 **GAV** HAVALI MİKRO KALIPÇI TAŞLAMA



Part No.	Description	Qty.
01	Collet cap	1
02	Collet	1
03	Collet holder	1
04	Housing sleeve	1
05	Bearing	2
06	Major collar	1
07	Minor collar	1
08	Rotor	1
09	Rotor blade	3
10	Cylinder	1
11	Fixing bolt	1
12	Front cover	1
13	Bearing	1
14	Rear cover	1
15	Valve holder	1

Part No.	Description	Qty.
16	Main housing	1
17	Hose connector	1
18	O-ring	1
19	Switch collar	1
20	O-ring	1
21	O-ring	1
22	Hex screw	1
23	axle collar	1
24	exhaust fixer	1
25	Braided hose cover	1
26	Air hose	1
27	Inlet nipple	1
28	Nut	1
29	Spanner	1

GAV HAVALI EL ALETLERİ VE TEKNİK SERVİS HİZMETLERİ SAN.TİC.LTD.ŞTİ TEL:0216 540 52 80